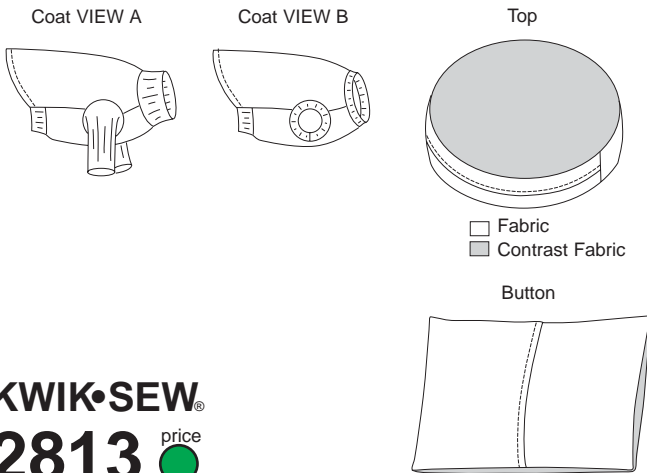


FIVE SIZES

Round pillow with liner. Pillow has side panel with zipper opening, top of pillow is from contrast fabric, and liner is stuffed with polyester filling.
 Rectangular pillow with liner. Pillow has zipper opening on bottom of pillow, top of pillow is from contrast fabric, and liner is stuffed with polyester filling.
 Dog's pull-over coats. View A has fold-over collar, legs and front band from ribbing. View B has neckband, leg cuffs and front band from ribbing.



GIFTS & THINGS

KWIK•SEW®
2813 price

PET PILLOWS & COATS
 Sizes: XS-S-M-L-XL
PILLOWS DESIGNED FOR FIRM KNIT AND WOVEN FABRICS
 Suggested Fabrics: Polarfleece®, Berber fleece, decorator fabrics, denim, corduroy, terry cloth, cotton. Lining in cotton types
COATS DESIGNED FOR: Polarfleece®, Berber fleece, sweatshirt fleece

Finished Size of Pillows	XS	S	M	L	XL	
Rectangular	15 x 21 (38 x 53)	20 x 28 (50 x 72)	25 x 36 (63 x 91)	31 x 43 (78 x 109)	37 x 50 (94 x 127)	" (cm)
Round (diameter)	19 1/2 (49)	25 1/2 (65)	32 (81)	39 1/2 (100)	47 1/2 (120)	" (cm)
Dog Body Measurement Back Neck to Base of Tail	8-10 (20-25)	12-14 (30-35)	16-18 (40-45)	20-22 (50-56)	24-26 (61-66)	" (cm)
RECTANGULAR PILLOW						
Fabric and Contrast Fabric Each						
45" (115 cm) Wide	1/2 (0.50)	5/8 (0.60)	3/4 (0.70)	1 3/8 (1.30)	1 1/2 (1.40)	yd (m)
54" (137 cm) Wide	1/2 (0.50)	5/8 (0.60)	3/4 (0.70)	1 (0.95)	1 1/8 (1.05)	yd (m)
Lining						
45" (115 cm) Wide	1/2 (0.50)	7/8 (0.80)	1 1/2 (1.40)	1 7/8 (1.75)	2 7/8 (2.65)	yd (m)
60" (152 cm) Wide	1/2 (0.50)	5/8 (0.60)	1 1/2 (1.40)	1 7/8 (1.75)	2 1/4 (2.10)	yd (m)
Zipper	16 (40)	20 (50)	26 (65)	32 (80)	38 (95)	" (cm)
Note: Zipper can be shorter or longer. Notions: Polyester filling, thread.						
ROUND PILLOW						
Fabric - Pillow Top						
45" (115 cm) Wide	5/8 (0.60)	3/4 (0.70)	1 (0.95)	1 1/4 (1.15)	not suitable	yd (m)
54" (137 cm) Wide	5/8 (0.60)	3/4 (0.70)	1 (0.95)	1 1/4 (1.15)	1 3/8 (1.30)	yd (m)
Fabric - Pillow Bottom & Side Panel						
45" (115 cm) Wide	1 (0.95)	1 1/8 (1.05)	2 1/8 (1.95)	2 7/8 (2.65)	not suitable	yd (m)
54" (137 cm) Wide	1 (0.95)	1 1/8 (1.05)	1 3/8 (1.30)	1 7/8 (1.75)	3 3/8 (3.10)	yd (m)
Lining						
45" (115 cm) Wide	7/8 (0.80)	1 1/2 (1.40)	1 7/8 (1.75)	3 7/8 (3.55)	not suitable	yd (m)
60" (152 cm) Wide	7/8 (0.80)	1 1/2 (1.40)	1 7/8 (1.75)	2 3/4 (2.20)	2 3/4 (2.55)	yd (m)
Zipper	32 (80)	42 (105)	52 (130)	64 (160)	76 (190)	" (cm)
Note: Zipper can be shorter or longer. Notions: Polyester filling, thread.						
DOG COAT						
Fabric 60" (152 cm) Wide						
View A & B	3/8 (0.35)	1/2 (0.50)	5/8 (0.60)	3/4 (0.70)	7/8 (0.80)	yd (m)
Ribbing 28" (70 cm) Wide						
View A	19 (48)	23 (58)	27 (68)	31 (78)	60 (152)	" (cm)
View B	8 (20)	9 (23)	9 (23)	14 (35)	14 (35)	" (cm)
Notions: Thread.						