

KWIK Start® LEARN-TO-SEW

ESPECIALLY DESIGNED FOR FIRST SEWING PROJECT!

KWIK Start® LEARN-TO-SEW

GIFTS & THINGS



KWIK•SEW®

3391 price

Backpack and cases are very easy to make and have special easy-to-follow sewing instructions.

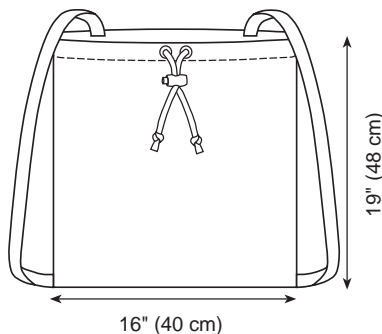
**BACKPACK, POD CASE,
PENCIL CASE, BINDER CASE,
& LETTERS TO APPLIQUÉ**

DESIGNED FOR WOVEN FABRICS
Suggested Fabrics: Cotton types, denim, twill

VIEW A

Simple backpack has drawstring in casing at top edge, and shoulder straps from webbing.

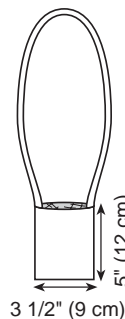
Fabric 45" (152 cm) wide – 5/8 yd (0.60 m)
Webbing for straps – 1 1/2 yd (1.40 m)
Drawstring for top – 1 yd (1 m)
One cordlock, two grommets, scrap piece of fusible interfacing, thread.



VIEW B

Case is lined and has neckstrap.

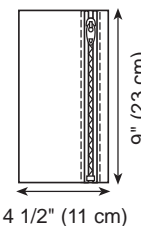
Piece of Fabric & Lining – 6" x 13" (15 cm x 35 cm)
String for Neckstrap – 1 yd (1 m)
Thread.



VIEW D

Case has zipper.

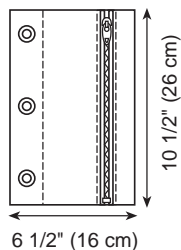
Fabric 24" (60 cm) wide – 1/4 yd (0.25 m)
One 9" (22 cm) zipper, thread.



VIEW C

Case has zipper, and grommets to fit in a standard US size binder.

Fabric 18" (45 cm) wide – 3/8 yd (0.35 m)
Three grommets, one zipper 10" (25 cm) or longer, thread.



APPLIQUÉS

Scrap pieces of fabric and tear-away material.

