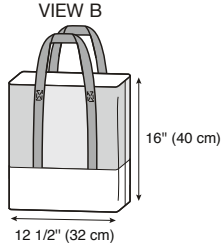
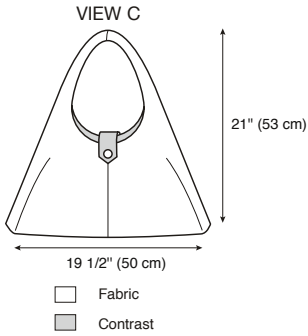


- Fabric
- Lining
- Contrast



- Fabric
- Color I
- Color II
- Color III



- Fabric
- Contrast



GIFTS & THINGS

KWIK·SEW®
price **3545**

DESIGNED FOR WOVEN FABRICS.
Suggested Fabrics: Cotton, cotton types, calico, nylon, poplin, decorator fabrics, denim, twill. **BAGS**

VIEW A
Bag is lined, has outside patch pocket divided into three smaller pockets, fleece inner lining and contrast fabric handles.
Material Required:
Fabric 45" (115 cm) wide or 60" (152 cm) – 3/4 yd (0.70m)
Contrast Fabric 60" (152 cm) wide – 1/4 yd (0.25 m)
Contrast Fabric 45" (115 cm) wide – 1/2 yd (0.50 m)
Lining 45" (115 cm) wide or 60" (152 cm) – 1/2 yd (0.50 m)
Fleece 45" (115 cm) wide – 1/2" yd (0.50 m)
Fusible Interfacing 24" (60 cm) wide – 3/4 yd (0.70 m)
Notions: Thread, 4" x 17 1/2" (10 cm x 44 cm) piece of stabilizer for bottom, such as plastic craft canvas, cardboard or rigid plastic.

VIEW B
Bag is lined, has fleece inner lining and is color blocked. Contrast fabric handles are stitched to outside of bag.
Material Required:
Fabric 45" (115 cm) or 60" (152 cm) wide – 7/8 yd (0.80 m)
Contrast I and Contrast II 22" (55 cm) Minimum Width – 12" (30 cm) each
Contrast III 45" (115 cm) or 60" (152 cm) wide – 3/8 yd (0.35 m)
Fleece 45" (115 cm) wide - 7/8 yd (0.80 m)
Notions: Thread, 4" x 12 3/4" (10 cm x 32 cm) piece of stabilizer for bottom, such as plastic craft canvas, cardboard or rigid plastic.

VIEW C
Bag is lined has inside zipper pocket, fleece inner lining, and contrast tab with button closure.
Material Required:
Fabric and Contrast 60" (152 cm) wide – each 7/8 yd (0.80 m)
Fabric and Contrast 45" (115 cm) wide – each 1 1/8 yd (1.05 m)
Fleece 45" (115 cm) wide - 1 1/8 yd (1.05 m)
Notions: Thread, one 7" (18 cm) zipper, scrap piece of fusible interfacing, one button, 4" x 19 1/2" (10 cm x 50 cm) piece of stabilizer for bottom, such as plastic craft canvas, cardboard, or rigid plastic.