



*Keeps
it tidy*

price **3886** **POUCH WITH PINCUSHION & CUP ORGANIZER**

POUCH WITH PINCUSHION

Square pincushion is filled with sand and attached to a cover that holds a ceramic tile. Lined pouch has tubing in top edge and is attached to tile cover with a strap, allowing pouch to hang over the edge of a table. Tile cover, strap, and pouch band are from contrast fabric.

MATERIAL REQUIRED:

Fabric 44" (112 cm) Wide — 1/2 yd (0.50 m)

Fabric 58" (148 cm) Wide — 3/8 yd (0.35 m)

Contrast Fabric 44" (112 cm) or 58" (148 cm) Wide — 1/4 yd (0.25 m)

Lining (tightly woven to hold sand) — 6" x 10" (15 cm x 25 cm) Piece

Notions: Thread, 18" (46 cm) of 1/4" (6 mm) poly tubing, 3/4" (2 cm) long wooden dowel or peg with 3/16" (5 mm) diameter (for connecting tube), one 4 1/4" (10.5 cm) ceramic tile, sand to fill pincushion.

CUP ORGANIZER

Cup organizer is double with fleece inner lining, has divided pocket on outside, and bias binding on outer edge. Pocket is from contrast fabric. Top edge folds over top of cup.

MATERIAL REQUIRED:

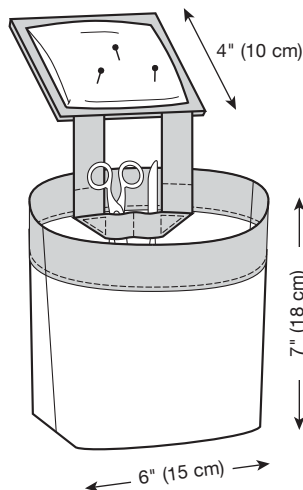
Fabric 44" (112 cm) or 58" (148 cm) Wide — 5/8 yd (0.60 m)

Contrast Fabric — 7" x 13" (18 cm x 33 cm) Piece

Fleece — 9" x 12" (23 cm x 30 cm) Piece

Notions: Thread, cup.

Pouch with Pincushion



□ Fabric
■ Contrast

Cup Organizer

